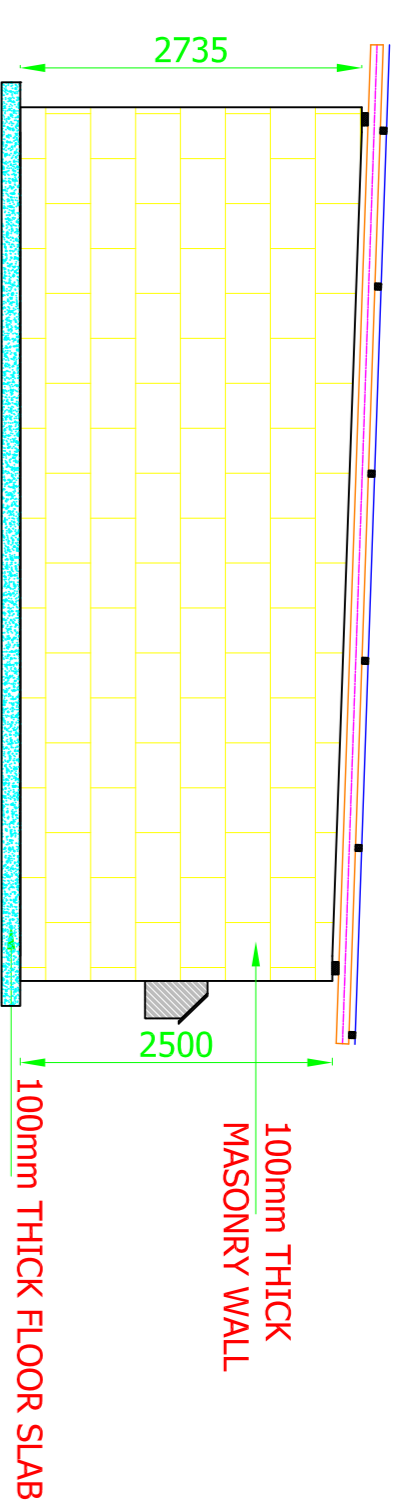
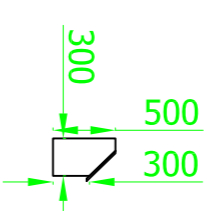
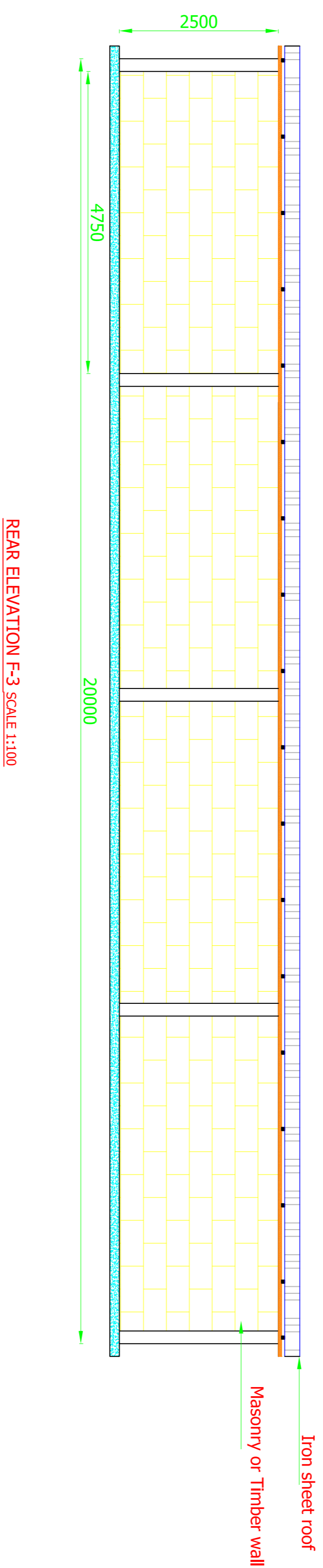


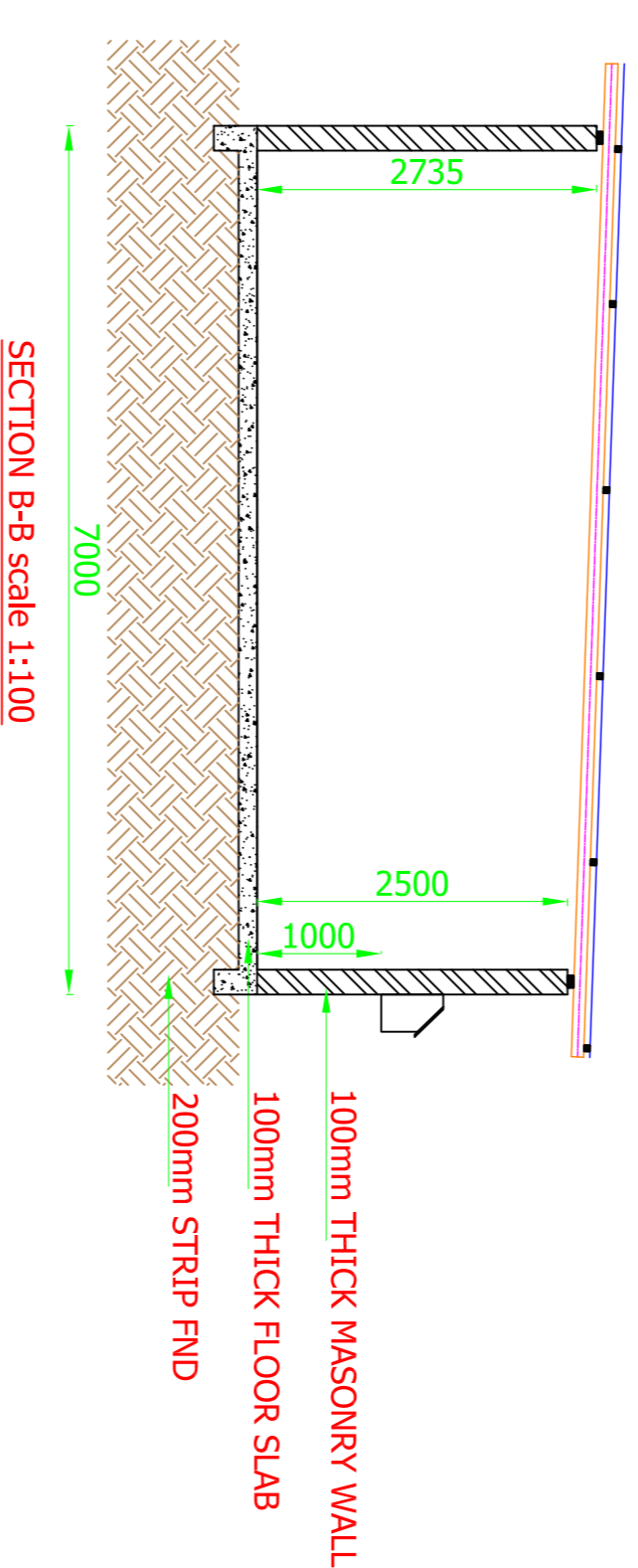
FRONT ELEVATION F-3 SCALE 1:100



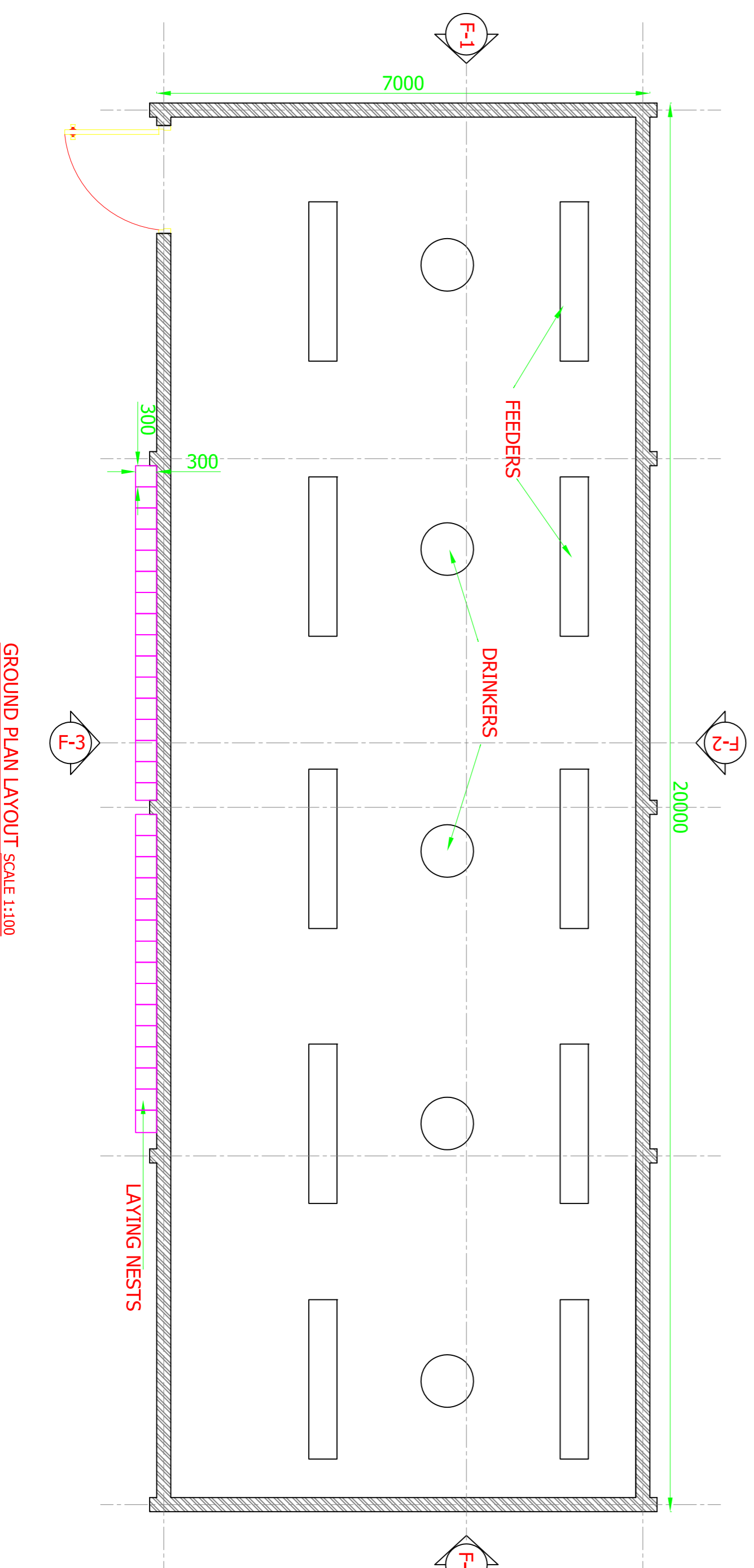
ELEVATION F4 SCALE 1:100



REAR ELEVATION F-3 SCALE 1:100



SECTION B-B scale 1:100



GROUND PLAN LAYOUT SCALE 1:100

NOTES

1. Read this drawing in conjunction with relevant G.A., Services and Architectural drawings. Any discrepancy to be reported to the Engineer.
 2. All dimensions are in millimetres unless specified otherwise.
 3. All levels are indicated in m unless specified otherwise.
 4. All structural concrete to be Class 20 (1:2:4) unless stated otherwise.
 5. Minimum cover to all reinforcement to be:
- Stairs, Slabs & Walls = 20mm
 - Beams (main bars) = 30mm
 - Columns (main bars) = 40mm
 - Foundations = 50mm
6. Maximum tolerance on concrete cover is +/- 5mm.
 7. All high tensile (Y) and mild steel (R) bars to be in accordance with BS 4449 and fabric mesh to be made from cold worked steel bars in accordance with BS 4483.
 8. Minimum laps to all bars to be 550 unless stated otherwise.
 9. Maximum aggregate size to be 20mm.
 10. Stones for the foundation walls to be non-porous quarry stones.

REV	REVISIONS	BY	SIGN	DATE	APPROVED
D	CHECKED	BY			
C	CHECKED	BY			
B	CHECKED	BY			
A	CHECKED	BY			

Client

MR. J. MAGANJO

Project

PROPOSED CHICKEN HOUSE

Structural/Civil Engineer

*Pentacon limited
Civil, Structural & Project
Management Engineers*

Drawing Title

**FLOOR LAYOUT, ELEVATIONS,
SECTION AND SEPTIC TANK.**

Designed by	J.K	Drawn by	J.K
Checked by	I.K.	Approved by	
Scales :	A5 SHOWN	Date	16th/06/ 2012
Job No.		ACAD File:	
STATUS		REV	0